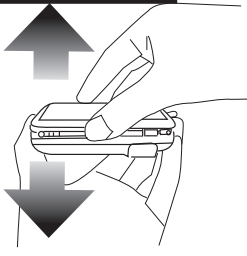


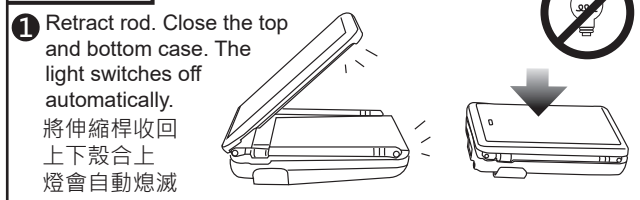
1. How to activate and operate the light 如何打開使用燈的功能



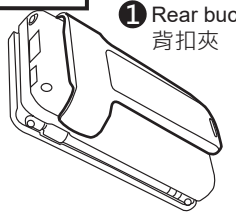
1 "Hold the upper lighting case in one hand Hold the bottom base with the other hand Slowly pull out vertically"
一手握住上殼
一手握住下殼
上下垂直打開



2. How to switch off the lights 如何關閉燈



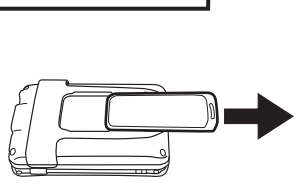
3. How to use the rear clip 如何使用背夾



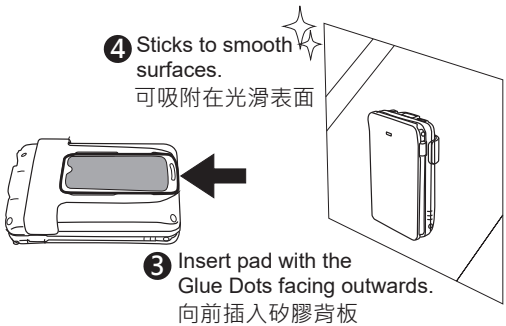
1 Rear buckle clip.
背扣夾



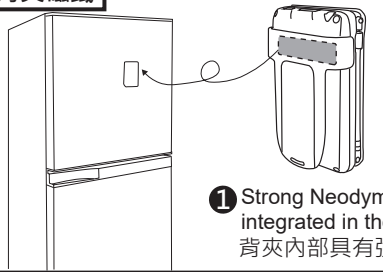
4. How to use the Glue Dots Pad 如何使用神奇矽膠板



2 Flip it.
翻轉矽膠背板



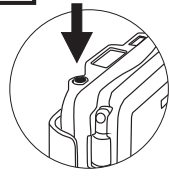
5. How to use the back clip magnet 如何使用背夾磁鐵



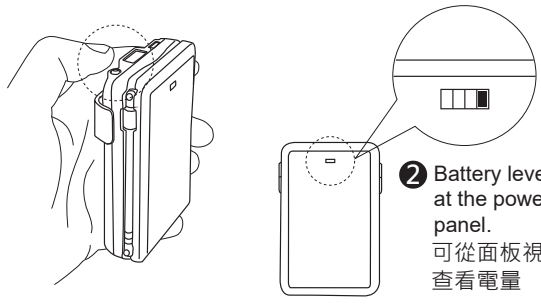
1 Strong Neodymium magnet integrated in the back clip.
背夾內部具有強力釹鐵硼磁鐵



6. Battery display 電量顯示



1 Press the power button.
按下電源鍵

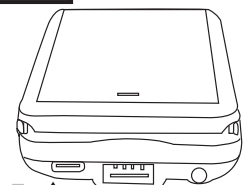


Battery percentage
電量百分比

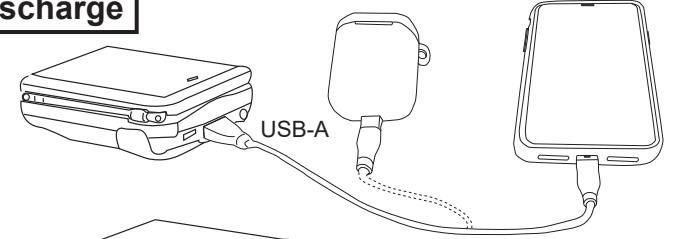
2 Battery level shown at the power display panel.
可從面板視窗查看電量

Full bar	100%
75% bar	75%
50% bar	50%
25% bar	25%

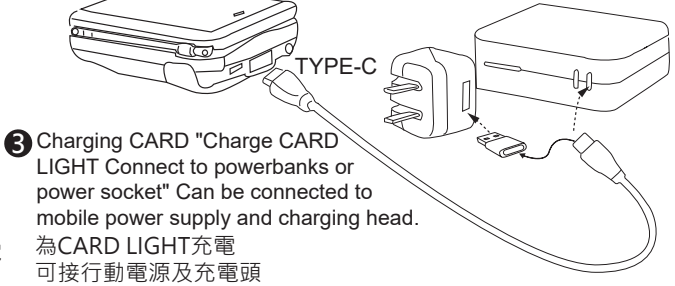
7. How to charge and discharge 如何充電



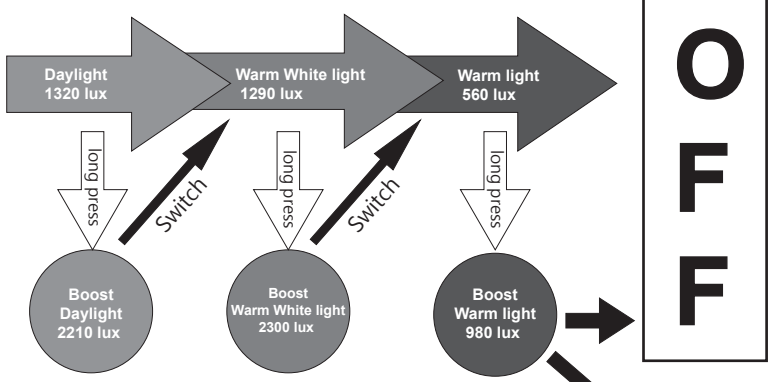
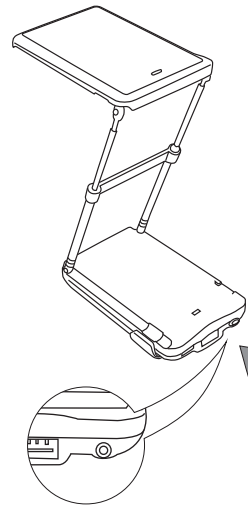
1 "TYPE-C: For power input and output"
TYPE-C: 可以輸入及輸出電



2 "USB A: power output charge device"
USB A: 可以輸出裝置充電



8. Lamp mode 燈的模式



1 Long press the power button to increase the brightness. Press once to change the color temperature.
長按電源鍵可以加強亮度·按一下能切換色溫

Common Problems

1. Loose light board

Tighten the loose screw with a screwdriver.

2. Flashing light

This is normal, do not touch the telescopic rod with your hands.

3. Dirty back clip

Clean with water.

4. When is the battery fully charged?

There is an indicator light to display the battery level.
When all four grids are bright, battery is full.

5. What is the power rating

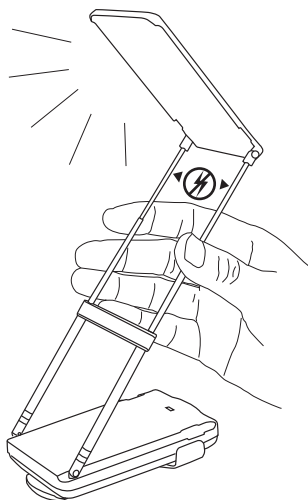
Maximum 5V 2.4A power output,
maximum 5V 2.4A power input.

6. Can lighting and phone charging occur simultaneously?

Yes

7. After fully charged, how long can it be used?

10 hours



- ① It is normal that the sliding lever and contact result in flickering.
滑動拉桿及接觸會造成閃爍屬正常現象

1. 燈板鬆動

可用小鏢絲起子將鬆動的鏢絲轉緊

2. 燈會閃爍

這是正常現象，手不要去觸碰伸縮桿

3. 背夾髒污

可用清水清洗

4. 如何知道電量充飽了

面板上有指示燈框內有燈量電池顯示，四格全亮即充滿

5. 同時輸出多少電量

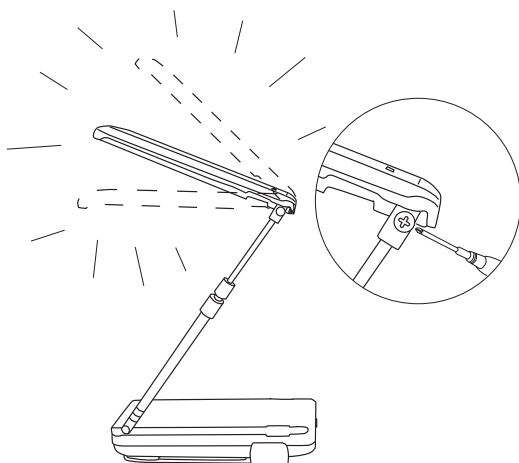
最大5V 2.4A電量輸出
最大5V 2.4A電量輸入

6. 可否同時亮燈及充手機

可以

7. 充飽電後可以使用多久

10小時



- ② Loose lamp cap and the lever can be tightened with a screwdriver.
燈頭及拉桿鬆動時
可用小十字螺絲起子轉緊

CARD Light

USER Manual

Specs

Size 尺寸

86 x 55.8 x 24.5mm (毫米)
Total length of the telescopic rod: 170mm
伸縮桿總長: 170mm (毫米)

Brightness 亮度

320 Lux 照明
Maximum brightness 2300 Lux
最大亮度為2300 Lux 照明

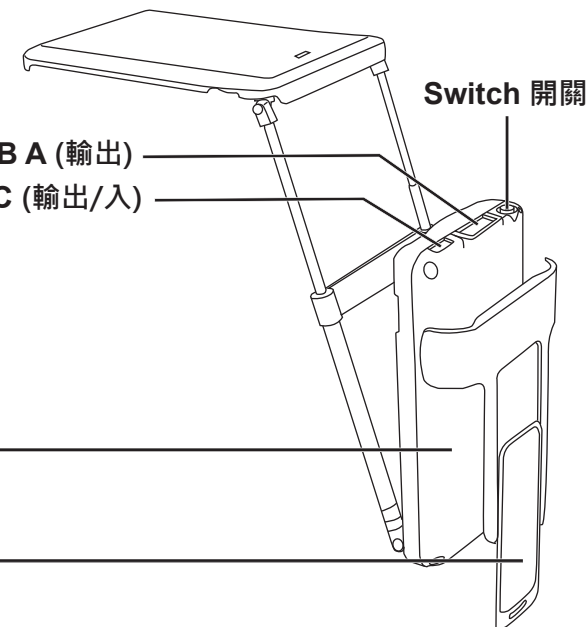
Weight 重量

160g (公克)

Battery capacity 電池容量

5200 mAh Li-ion Polymer
5200毫安 鋰離子聚合物電池

Silicone board 神奇矽膠板



Attention



1. 使用前請詳細閱讀說明書

Read the instructions carefully before use.

2. 請放置於兒童接觸不到的地方

Keep it out of reach of children.

3. 請避免表面接觸清潔溶劑等化學物質

Avoid surface contact with cleaning solvents and other chemicals.

4. 請避免數據線接觸鋒利及尖銳的物件導致表面受損

Avoid the data cable contacting sharp and pointed objects to cause surface damage.

5. 請保持裝置乾燥並嚴禁在潮濕或有水的環境下使用

Keep the device dry and do not use in humid environment or one with water.

6. 若長時間 不使用最少半年充一次電，維持電池壽命

With prolong inactive usage, charge it at least once every six months to maintain battery life.

7. 為保護眼睛 請勿直視LED燈源

To protect your eyes, please do not look directly at the LED light source.

8. 用水清洗矽膠背板可有更好的附著力

Clean the silicone rear layer with water for better adhesion.